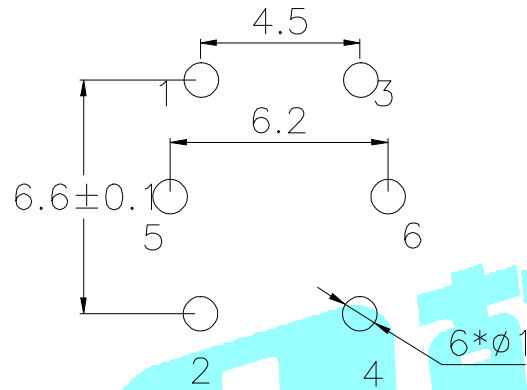
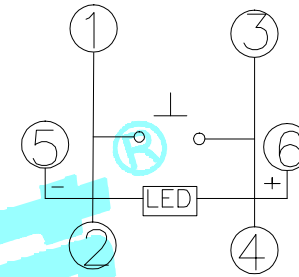


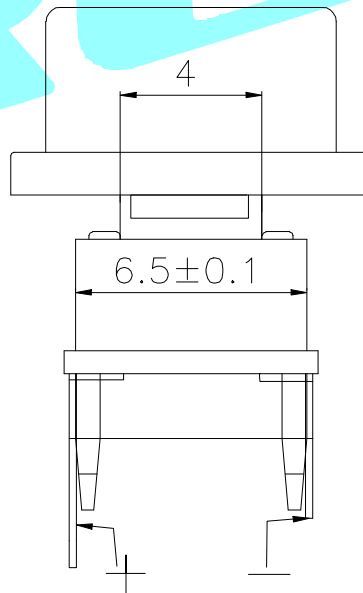
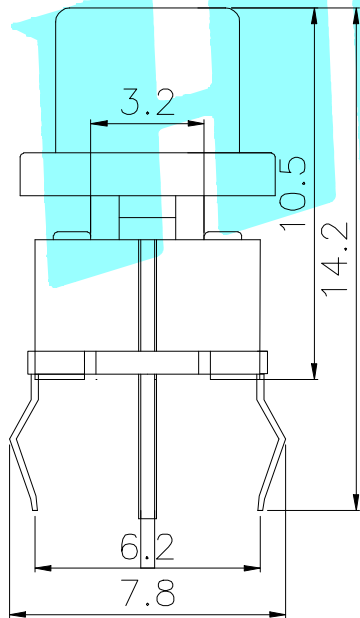
PCB Layout(Pattern Side)



Circuit Diagram



LED colour(LED颜色)	Part No.(料号)
Whiler(白色)	K6-6276D01
Red(红色)	K6-6276D02
Blue(蓝色)	K6-6276D03
Green(绿色)	K6-6276D04



Typical Specifications

- 1.Rating : DC 12V 50mA
- 2.Operating Force : 250 ± 50 gf
- 3.Contact Resistance : 100mΩMAX
- 4.Life : 100,000 Cycles Min

ITEM	PART NAME	TER'NO.	QTY.	MATERIAL	FINISHING	REMARK
⑦	LED		1		Transparent	——
⑥	Keystoke		1	PA66	White	——
⑤	Spring		1	Keystoke	Ag	——
④	Base		1	PA66	Black	——
③	Cover		1	PA66	Black	——
②	Terminal		6	Phosphor bronze	Ag Plating	——
①	Housing		1	Nylon	Black	——

APPROVALS		DATE		 ELECTRONICS CO.,LTD		
DRAWN	D.J.LV	2017/12/26				
APPROVALS				PART NO.	K6-6276D-□□	
TOLERANCES ARE			30~ØL ±0.30	ANGLE	UNIT: mm	SCALE: 1:1
			10~30 ±0.20			
			5~10 ±0.15			
			~ 5 ±0.10			

ECN NO.	REV.	DATE.	DESCRIPTION.	CHANGE.	CHECK.	APPRO.
—	A	—	NEW	—	—	—