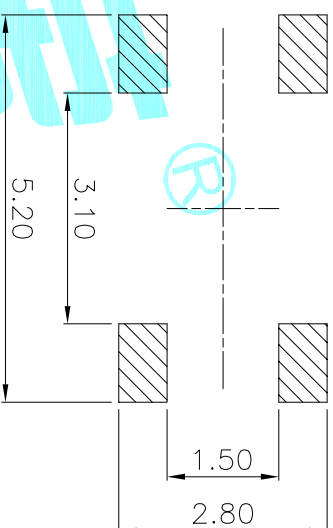
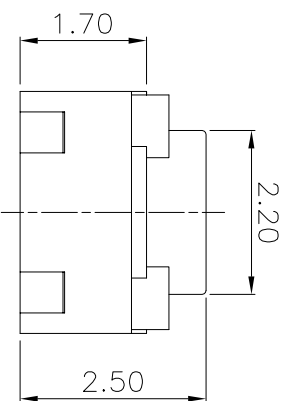
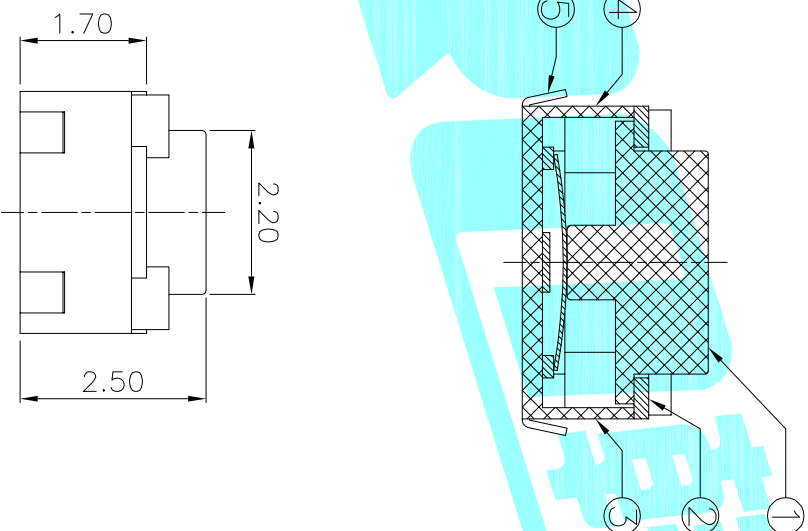
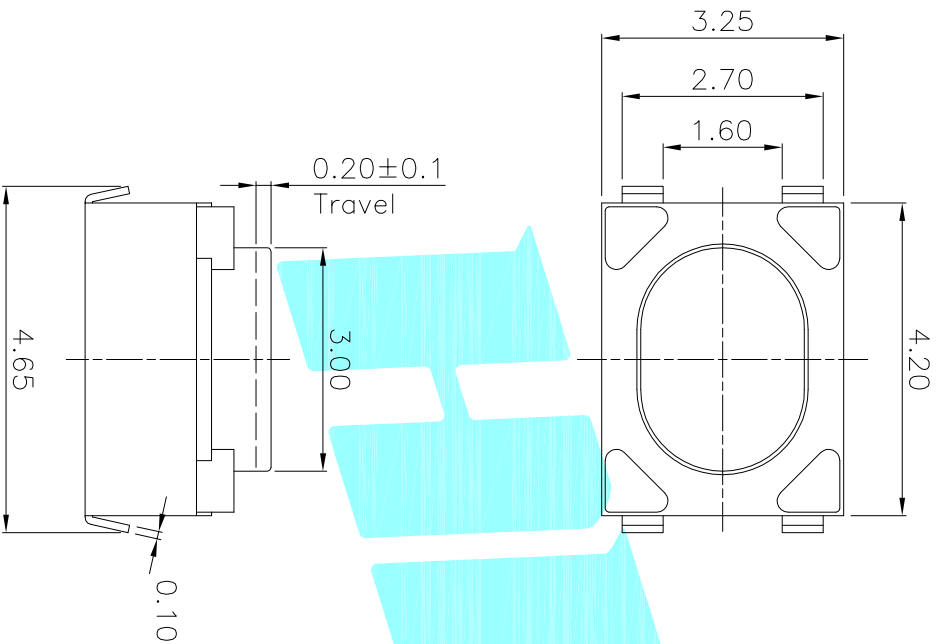
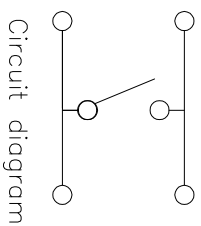


Typical Specifications :
 1. Rating : DC 12V 50mA
 2. Life:100,000 Cycles Min.



NO.1	
PART NO	VIGOR
3	180±35
4	250±35

NO.2	
PART NO	MATERIAL/QTY
S	SUS/1PC
D	SUS/2PCS

NO.3-NO.4	
PART NO	NOTE
01~99	SERIAL NUMBER

ITEM	PART NAME	TER'NO.	QTY.	MATERIAL	FINISHING	REMARK
⑤	Terminal	—	4	Phosphor Bronze	Plating silver	—
④	Contact	—	1	F.Ag/SUS	Plating silver	—
③	Base	—	1	LCP	White	—
②	Cover	—	1	SUS	Natural	—
①	Keystroke	—	1	Silica gel Δ	Blue	—

APPROVALS		DATE	
DRAWN	xu qi feng	DATE	2014.11.20

CHECKED		TITLE:	
APPROVALS		TACT SWITCHS	
TOLERANCES ARE	30~0.1± 10~30 ±0.20 5~10 ±0.15 ~5 ±0.10	ANGLE	±2°
		UNIT:	mm
		SCALE:	1:1
		DRAWING NO.	
		SHEET	1 OF 1

ECN NO.	REV.	DATE.	DESCRIPTION.	CHANGE.	CHECK.	APPRO.
	A		NEW			



ELECTRONICS CO.,LTD