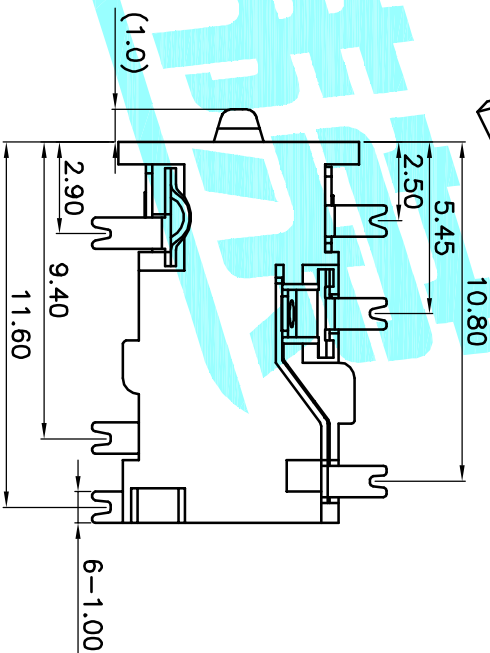
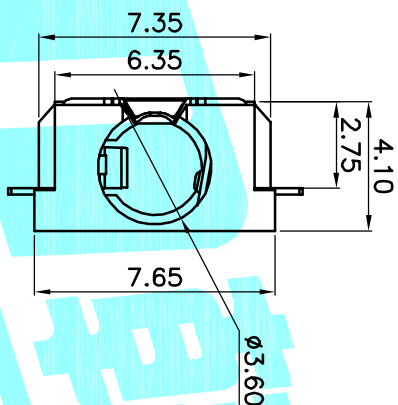
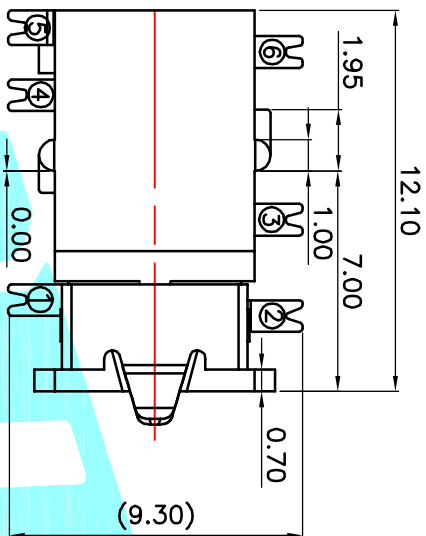
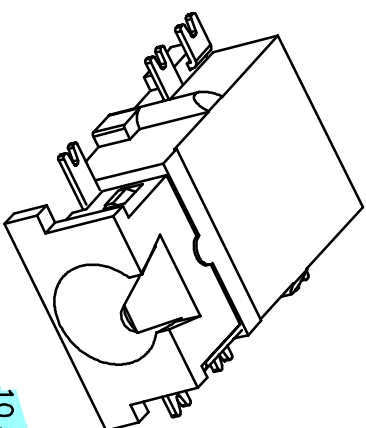
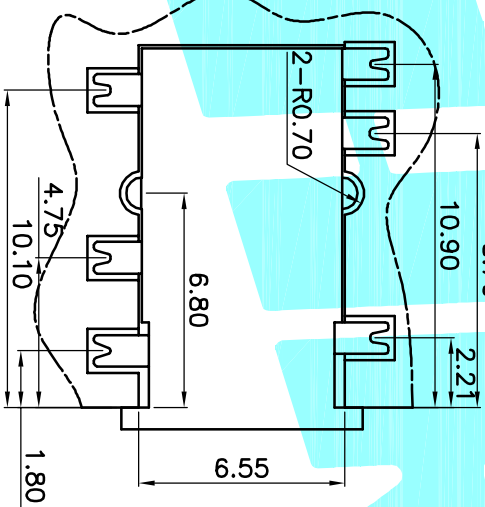


CIRCUIT DIAGRAM



PCB Layout(Pattern side)



Rating:0.5A 30V DC
 Contact Resistance:100 mΩ Max.
 Operating temperature:-20℃~70℃
 Operating force:3-20N
 Operating Life:5,000cycles

ECN NO.	REV.	DATE.	DESCRIPTION.	CHECK.	APPRO.																																																																	
	A		NEW																																																																			
<table border="1"> <tr> <td>② Terminal</td> <td>6</td> <td>Phosphor bronze</td> <td>Au Plating</td> </tr> <tr> <td>① Housing</td> <td>1</td> <td>Nylon</td> <td>Black</td> </tr> <tr> <td>ITEM</td> <td>PART NAME</td> <td>TER'NO.</td> <td>QTY.</td> <td>MATERIAL</td> <td>FINISHING</td> <td>REMARK</td> </tr> <tr> <td colspan="2">APPROVALS</td> <td>DATE</td> <td colspan="4"></td> </tr> <tr> <td>DRAWN</td> <td>JKUN,LU</td> <td>2013/11/11</td> <td colspan="4">TITLE: PHONE JACKES</td> </tr> <tr> <td colspan="3">CHECKED</td> <td colspan="3">PART NO. PJ-399F</td> </tr> <tr> <td colspan="3">APPROVALS</td> <td colspan="3">ELECTRONICS CO.,LTD</td> </tr> <tr> <td colspan="3">TOLERANCES ARE</td> <td colspan="3">DRAWING NO.</td> </tr> <tr> <td>30^{+0.15}</td> <td>±0.30</td> <td>ANGLE</td> <td>UNIT: mm</td> <td>SCALE: 1:1</td> <td>PROJ-</td> </tr> <tr> <td>10^{+0.10}</td> <td>±0.15</td> <td>±2'</td> <td></td> <td></td> <td>SHEET 1 OF 1</td> </tr> <tr> <td>5^{+0.10}</td> <td>±0.10</td> <td></td> <td></td> <td></td> <td></td> </tr> </table>						② Terminal	6	Phosphor bronze	Au Plating	① Housing	1	Nylon	Black	ITEM	PART NAME	TER'NO.	QTY.	MATERIAL	FINISHING	REMARK	APPROVALS		DATE					DRAWN	JKUN,LU	2013/11/11	TITLE: PHONE JACKES				CHECKED			PART NO. PJ-399F			APPROVALS			ELECTRONICS CO.,LTD			TOLERANCES ARE			DRAWING NO.			30 ^{+0.15}	±0.30	ANGLE	UNIT: mm	SCALE: 1:1	PROJ-	10 ^{+0.10}	±0.15	±2'			SHEET 1 OF 1	5 ^{+0.10}	±0.10				
② Terminal	6	Phosphor bronze	Au Plating																																																																			
① Housing	1	Nylon	Black																																																																			
ITEM	PART NAME	TER'NO.	QTY.	MATERIAL	FINISHING	REMARK																																																																
APPROVALS		DATE																																																																				
DRAWN	JKUN,LU	2013/11/11	TITLE: PHONE JACKES																																																																			
CHECKED			PART NO. PJ-399F																																																																			
APPROVALS			ELECTRONICS CO.,LTD																																																																			
TOLERANCES ARE			DRAWING NO.																																																																			
30 ^{+0.15}	±0.30	ANGLE	UNIT: mm	SCALE: 1:1	PROJ-																																																																	
10 ^{+0.10}	±0.15	±2'			SHEET 1 OF 1																																																																	
5 ^{+0.10}	±0.10																																																																					