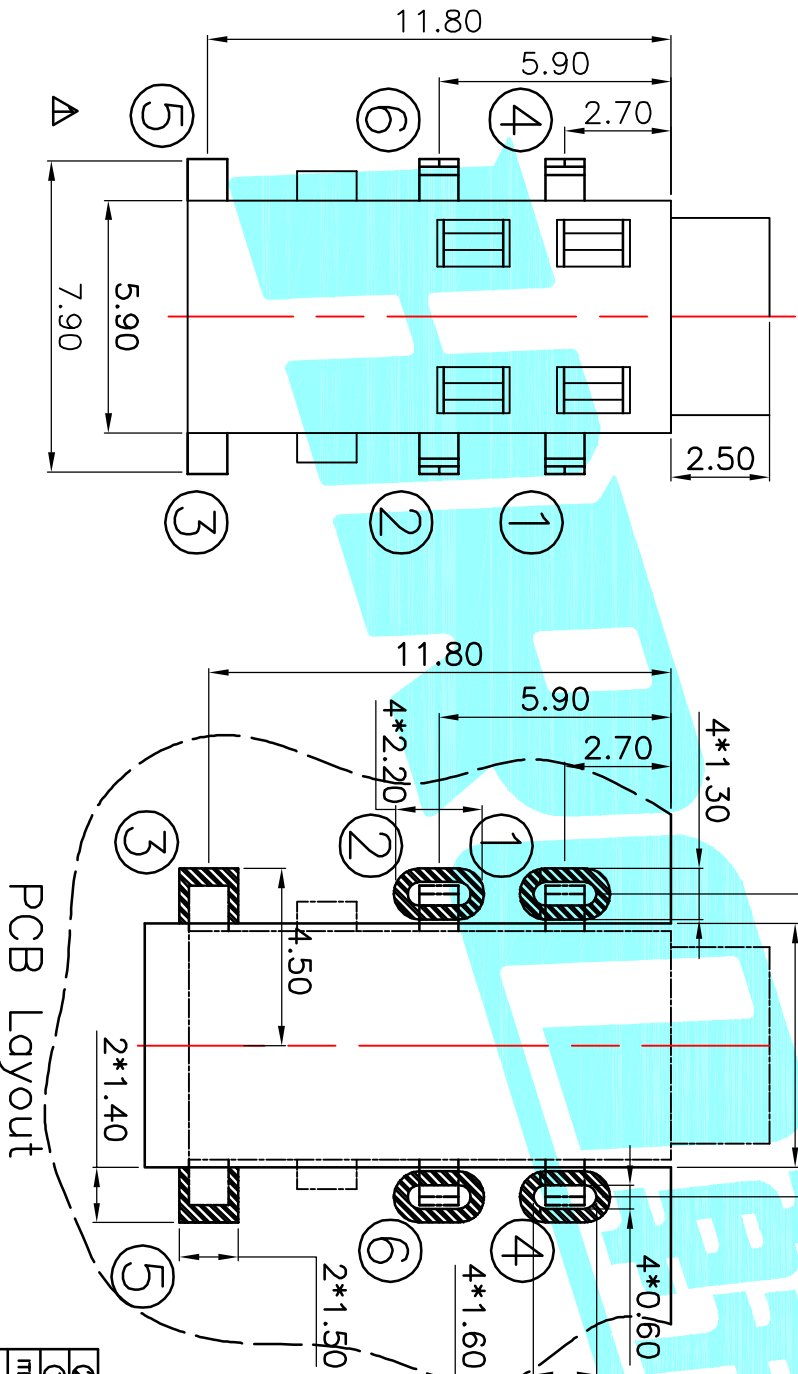


CIRCUIT DIAGRAM



Rating:0.5A 30V DC
 Contact Resistance:100 mΩ Max.
 Operating temperature:-20℃~70℃
 Operating force:3-20N
 Operating Life:5,000cycles

PCB Layout

ECN NO.	REV.	DATE.	DESCRIPTION.	CHECK.	APPRO.
	A		修改产品尺寸增加为7mm 修改 PCB 破板要求		
	B		NEW		
DRAWN QIFENG.XU 2015.11.20					
CHECKED					
APPROVALS					
TERMINALS ARE 30~0.3mm 10~0.3mm 5~10 5~10 ±0.15 ±0.10 ±2°					
TITLE: PHONE JACKETS					
PART NO. PJ-399B					
SCALE: 1:1					
DRAWING NO.					
SHEET 1 OF 1					

ITEM	PART NAME	TER'NO.	QTY.	MATERIAL	FINISHING	REMARK
①	Terminal	3	1	Phosphor bronze	Ag Plating	
②	Housing	1	1	Nylon	Black	

OKHRO
 ELECTRONICS CO.,LTD