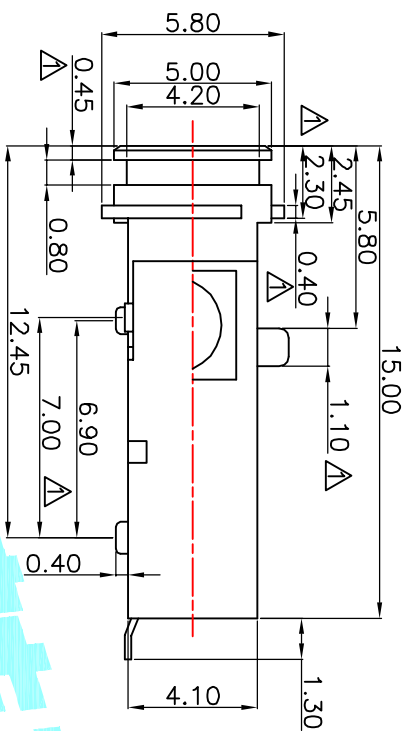
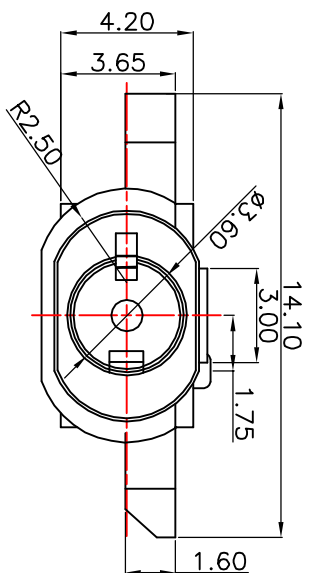
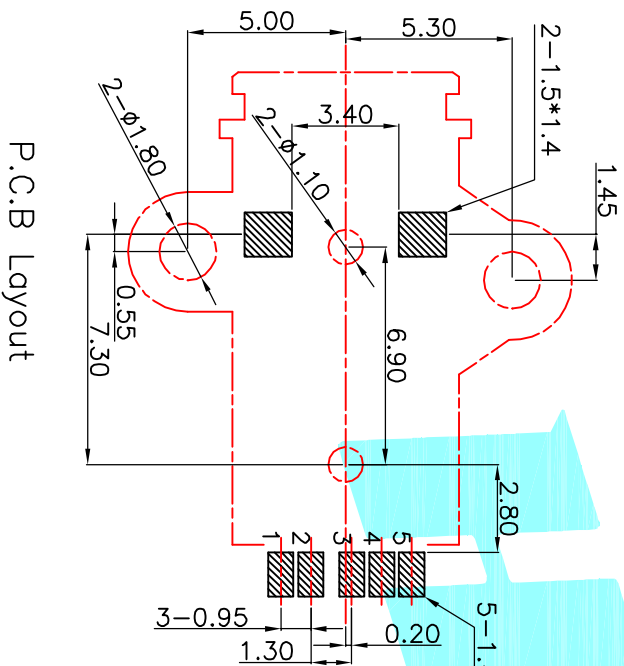


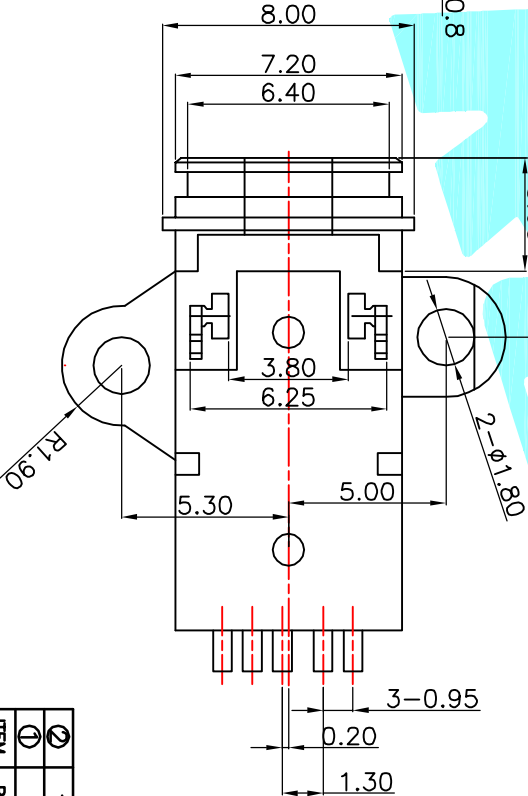
# Water Resistance: IP-X8



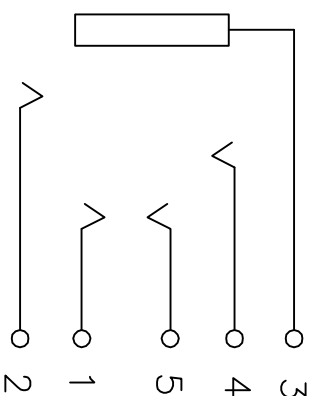
Rating: 0.5A 30V DC  
 Contact Resistance: 100 mΩ Max.  
 Operating temperature: -20°C ~ 70°C  
 Operating force: 3-20N  
 Operating Life: 5,000 cycles



P.C.B Layout



## CIRCUIT DIAGRAM



ECN NO.	REV.	DATE.	DESCRIPTION.	CHANGE.	CHECK.	APPRO.
	A		NEW			
	B					

② Terminal	5	Phosphor bronzed	Au Plating			
① Housing	1	Nylon	Black			
ITEM	PART NAME	TER'NO.	QTY.	MATERIAL	FINISHING	REMARK
APPROVALS						
DRAWN	xu qi feng	DATE	2014.11.26	TITLE: PHONE JACKS		
CHECKED		PART NO.		PJ-609		
APPROVALS		SCALE: 1:1		PROJ-4		
TOLERANCES ARE	30~10.00	±0.30	ANGLE	DRAWING NO.		
	10~30	±0.20		SHEET 1 OF 1		
	5~10	±0.15	±2'			
	~5	±0.10				

**OKHRO**  
 ELECTRONICS CO., LTD