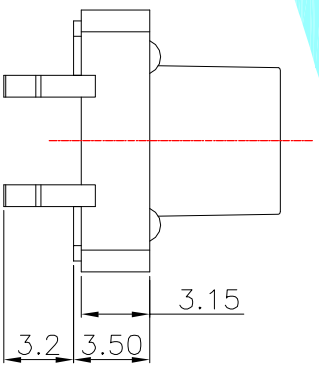
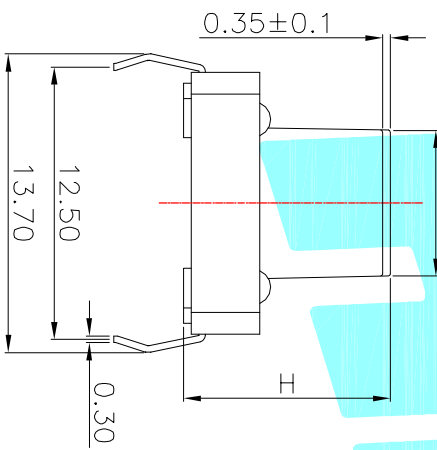


PCB Layout(Pattern side)

Circuit Diagram



PART NO	H	PART NO	H
A	4.3	O	11
B	4.5	P	11.5
C	5	Q	12
D	5.5	R	12.5
E	6	S	13
F	6.5	T	13.5
G	7	U	14
H	7.5	V	15
I	8	W	16
J	8.5	X	17
K	9	Y	18
L	9.5	Z	19
M	10		15.5
N	10.5		

PART NO	NO.2
1	vigor
2	90±30
3	130±30
4	180±30
5	250±30
	350±50

PART NO	NO.3
S	SUS/1PC
C	C5210/1PC
D	SUS/2PCS
F	C5210/2PCS

PART NO	NO.4-NO.5
01~99	NOTE
	SERIAL NUMBER

ITEM	PART NAME	TER'NO.	QTY.	MATERIAL	FINISHING	REMARK
⑤	Terminal	—	4	Brass(0.3t)	Plating silver	—
④	Contact	—	1	F.Ag/C5210	—	—
③	Base	—	1	Nylon	Black	UL94V-0
②	Cover	—	1	SPCC/Bross	Plating Sn	—
①	Keystoke	—	1	Nylon	Black	UL94V-0

APPROVALS	DATE	TITLE:
DRAWN J.X.Zhang	2014/2/18	TACT SWITCHS

ECN NO.	REV.	DATE.	DESCRIPTION.	CHANGE.	CHECK.	APPRO.
	A		NEW			

APPROVALS	DATE	TITLE:
CHECKED		TACT SWITCHS
APPROVALS		
TOLERANCES ARE	30~12.5 ±0.30	ANGLE
	10~30 ±0.20	
	5~10 ±0.15	±2'
	~5 ±0.10	
PART NO.	K2-1103DP-□□□□	SCALE: 1:1
DRAWING NO.		PROJ.:
		SHEET 1 OF 1



ELECTRONICS CO.,LTD