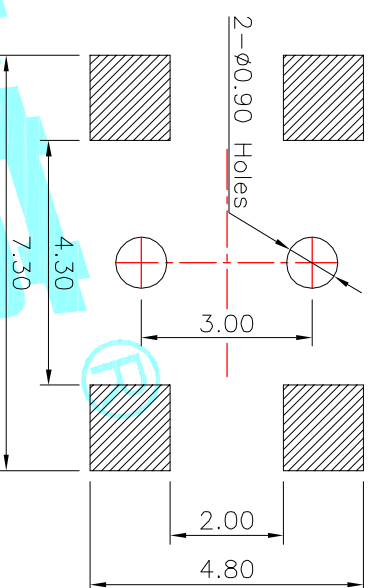


PCB Layout recommended



PART NO.	NO.1
1	vigor
2	130±30
3	160±30
4	250±30

NO.2	
PART NO.	MATERIAL/QTY.
S	SUS/1PC
D	SUS/2PCS

NO.3-NO.4	
PART NO.	NOTE
01~99	SERIAL NUMBER

PART NO.	
K2-1113SA	
K2-1113SN	

ITEM	PART NAME	TER'NO.	QTY.	MATERIAL	FINISHING	REMARK
①	Keystroke	—	1	NYLON	Black	
②	Base	—	1	LCP	self-colored	
③	Contact	—	1	Stainless Steel	Ag-PLATED	
④	Shell	—	1	Sheet Iron	Natural	
⑤	Terminal	—	4	Phosphor Bronze	Ag-PLATED	
⑥	Dust cover	—	2	Kapton film	Yellow	

APPROVALS		DATE	
DRAWN	J.X.Zhang	2012/3/18	

CHECKED		TITLE:	
		TACT SWITCHS	
APPROVALS		PART NO. K2-1113SQ-ADDW-□□	
TOLERANCES ARE		SCALE: 1:1	
30~12.5	±0.30	ANGLE	PROJ:
10~30	±0.20	UNIT: mm	SHEET 1 OF 1
5~10	±0.15	DRAWING NO.	
~5	±0.10		

ECN NO.	REV.	DATE.	DESCRIPTION.	CHANGE.	CHECK.	APPRO.
	A		NEW			



ELECTRONICS CO., LTD