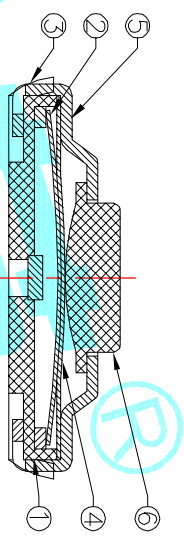
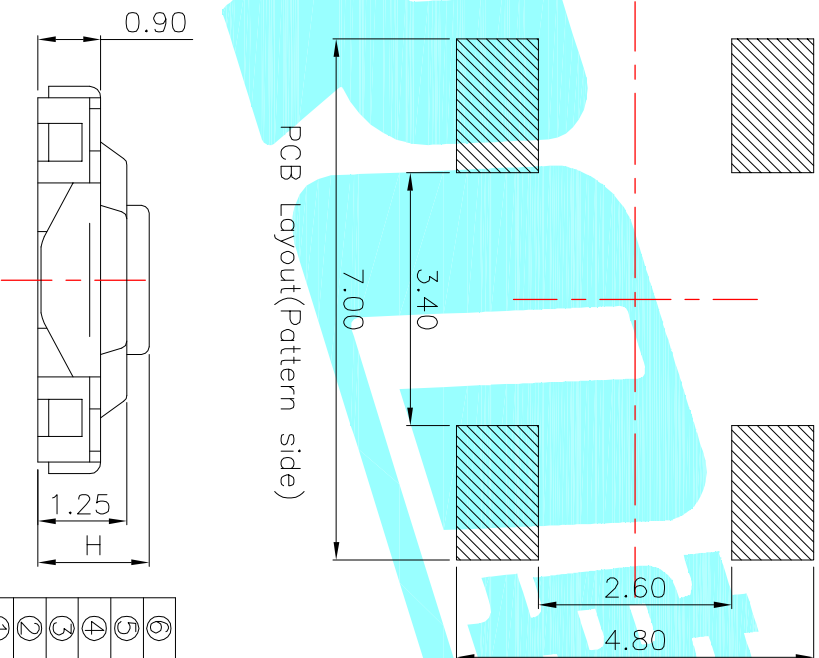
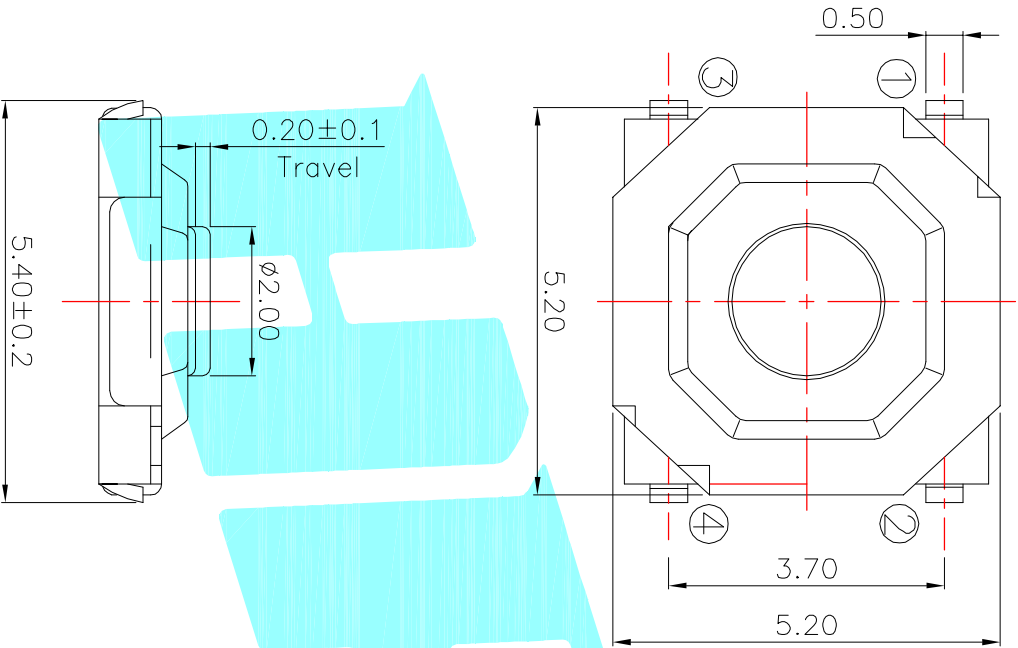
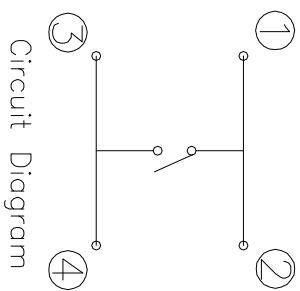


- Typical Specifications :
1. Rating : DC 12V 50mA
 2. Life:100,000 Cycles Min.



NO.1	
PART NO	H
A	1.50
B	1.60
C	1.70
D	2.00
E	2.50
F	3.00
G	4.30

NO.2	
PART NO	vigor
1	90±30
2	130±30
3	180±30
4	250±30
5	350±50

NO.3	
PART NO	MATERIAL/QTY.
S	SUS/1PC
D	SUS/2PCS

NO.4-NO.5	
PART NO	NOTE
01~99	SERIAL NUMBER

ITEM	PART NAME	TER'NO.	QTY.	MATERIAL	FINISHING	REMARK
⑥	Knob	—	1	Brass	Yellow	—
⑤	Cover	—	1	SUS	Natural	—
④	Dust Cover	—	1	Kapton Film	Yellow	—
③	Terminal	—	4	Phosphor Bronze	Plating silver	—
②	Contact	—	1	F.Ag/SUS	Natural	—
①	Base	—	1	Nylon	Black	—

APPROVALS		DATE
DRAWN	xu qi feng	2014/10/31

CHECKED		TITLE:
		TACT SWITCHS

APPROVALS		PART NO.
		K2-1187UQ-□□□□-□□

TOLERANCES ARE		ANGLE	UNIT:	SCALE:	PROJ:
30~12.5	±0.30	±2°	mm	1:1	1
10~30	±0.20				
5~10	±0.15				
~5	±0.10				

ECN NO.	REV.	DATE.	DESCRIPTION.	CHANGE.	CHECK.	APPRO.
	A		NEW			



HROELECTRONICS CO., LTD

TACT SWITCHS

PART NO. K2-1187UQ-□□□□-□□

SCALE: 1:1

PROJ: 1

SHEET 1 OF 1