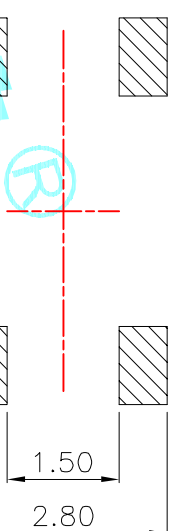
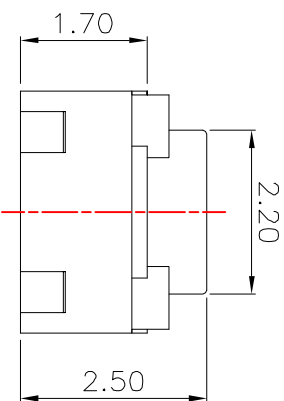
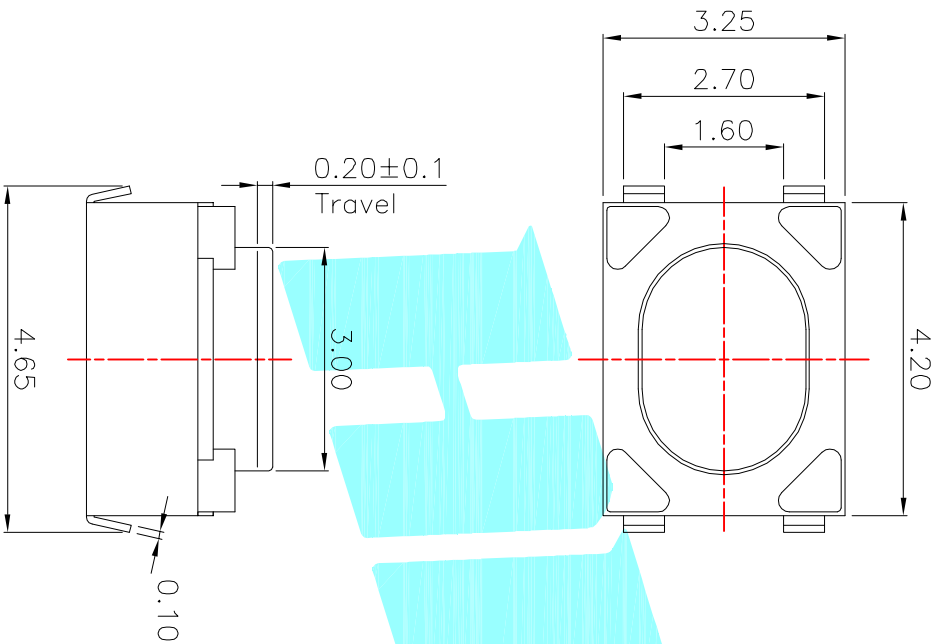
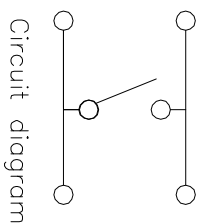


Typical Specifications :
 1. Rating : DC 12V 50mA
 2. Life:100,000 Cycles Min.



| NO.1 | |
|---------|--------|
| PART NO | VIGOR |
| 1 | 90±30 |
| 3 | 180±30 |
| 4 | 250±30 |

| NO.2 | |
|---------|--------------|
| PART NO | MATERIAL/QTY |
| S | SUS/1PC |
| D | SUS/2PCS |

| NO.3-NO.4 | |
|-----------|---------------|
| PART NO | NOTE |
| 01~99 | SERIAL NUMBER |

| ITEM | PART NAME | TER'NO. | QTY. | MATERIAL | FINISHING | REMARK |
|------|-----------|---------|------|-----------------|----------------|--------|
| ⑤ | Terminal | --- | 4 | Phosphor Bronze | Plating silver | --- |
| ④ | Contact | --- | 1 | F.Ag/SUS | Plating silver | --- |
| ③ | Base | --- | 1 | LCP | White | --- |
| ② | Cover | --- | 1 | SUS | Natural | --- |
| ① | Keystroke | --- | 1 | LCP | White | --- |

| APPROVALS | | DATE | |
|-----------|------------|------|------------|
| DRAWN | xu qi feng | DATE | 2014.11.20 |

| CHECKED | | TITLE: | |
|----------------|--|--------------|----------------------------|
| APPROVALS | | TACT SWITCHS | |
| TOLERANCES ARE | 30~12.5 ±0.30 10~30 ±0.20 5~10 ±0.15 ~5 ±0.10 | ANGLE | PART NO. K2-1808UN-AD0W-00 |
| | | UNIT: mm | SCALE: 1:1 |
| | | DRAWING NO. | PROJ: |
| | | | SHEET 1 OF 1 |

| ECN NO. | REV. | DATE. | DESCRIPTION. | CHANGE. | CHECK. | APPRO. |
|---------|------|-------|--------------|---------|--------|--------|
| | A | | NEW | | | |



ELECTRONICS CO.,LTD