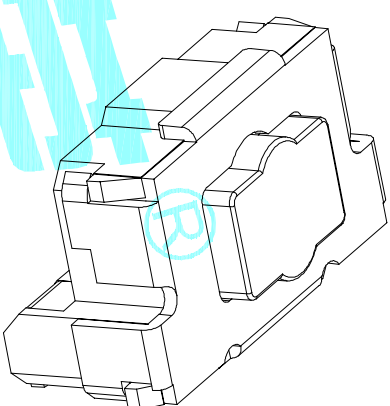


PCB Layout (Pattern side)



Typical Specifications :  
 1. Rating : DC 12V 50mA  
 2. Life:100,000 Cycles Min.

NO.1	
PART NO	VIGOR
3	180±.30
4	250±.30

NO.2-NO.3	
PART NO	NOTE
01~99	SERIAL NUMBER

ITEM	PART NAME	TER'NO.	QTY.	MATERIAL	FINISHING	REMARK
⑥	Dust cover	—	1	KAPTON FILM	—	—
⑤	Terminal	—	2	Phosphor Bronze Plating silver	—	—
④	Contact	—	1	F.Ag/SUS	—	—
③	Base	—	1	LCP	Black	—
②	Cover	—	1	SUS	—	—
①	Keystroke	—	1	Nylon	WHITE	—

APPROVALS		DATE	TITLE:	
DRAWN	JKUN:LU	2013/6/24	TACT SWITCHS	
CHECKED			ELECTRONICS CO.,LTD	
APPROVALS			HRO®	

ECN NO.	REV.	DATE.	DESCRIPTION.	CHANGE.	CHECK.	APPRO.	TOLERANCES ARE	ANGLE	UNIT:	SCALE:	PROJ:	SHEET
	A		NEW				30~0.1±	±0.30	mm	1:1	PROJ: ①	1 OF 1
							10~.30	±0.20				
							5~.10	±0.15				
							~.5	±0.10				