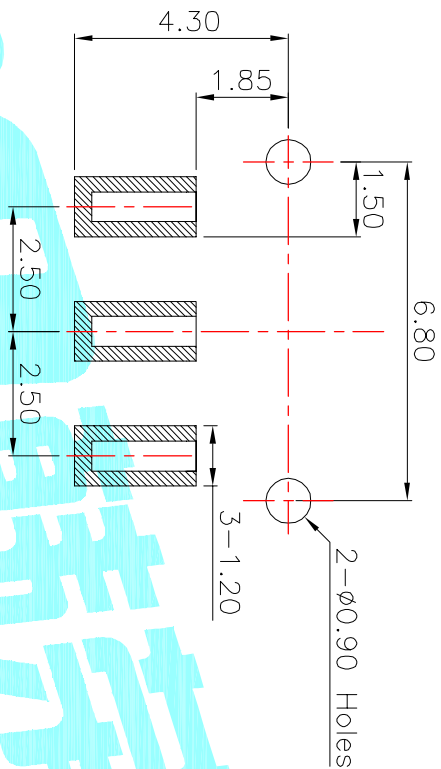
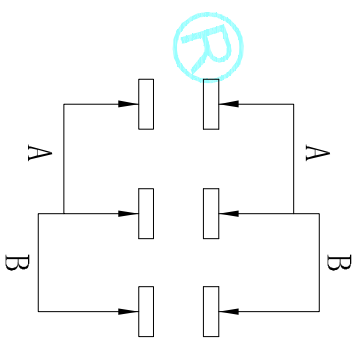


PCB Layout (Pattern side)



Circuit Diagram



PART NO.	L	Operating force
K3-1280S-F2	2	200±100gf
K3-1280S-K2	3	
K3-1280S-L2	4	

ITEM	PART NAME	TER'NO.	QTY.	MATERIAL	FINISHING	REMARK
⑤	Contact Spring	—	2	Beryllium copper	Ag Plated	—
④	Terminal	—	3	Brass Strip	Ag Plated	—
③	Base	—	1	NYLON	Black	—
②	Cover	—	1	SUS	Natural	—
①	KNOB	—	1	NYLON	White	—

APPROVALS		DATE	TITLE:	
DRAWN	J.X.Zhang	2013/9/26	TOGGLE SWITCHES	
CHECKED			ELECTRONICS CO.,LTD	

ECN NO.	REV.	DATE.	DESCRIPTION.	CHANGE.	CHECK.	APPRO.	TOLERANCES ARE	ANGLE	UNIT:	SCALE:	PROJ:	SHEET
	A		NEW				30~12.5 ±	±0.30	mm	1:1	OKHRO	1 OF 1
							10~30 ±	±0.20				
							5~10 ±	±0.15				
							~5 ±	±0.10				