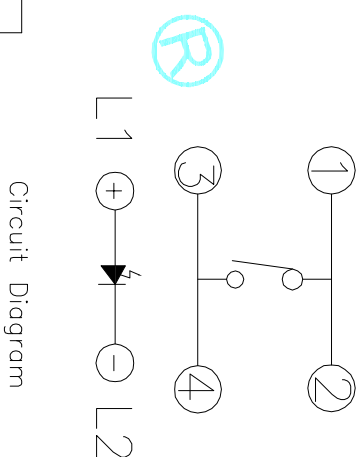
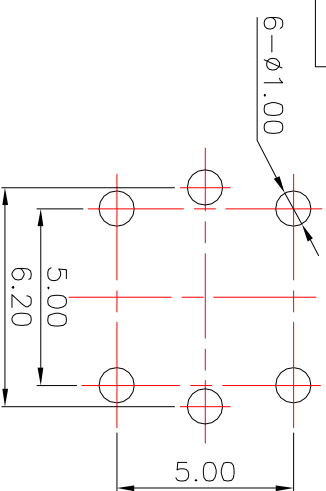


LED colour (LED颜色)	Part No. (料号)
Whiter(白色)	K6-1206D01
Red(红色)	K6-1206D02
Blue(蓝色)	K6-1206D03
Green(绿色)	K6-1206D04



Circuit Diagram

PCBLayout(Pattern Side)



② Terminal	3	Phosphor bronze Au Plating
① Housing	1	Nylon Black
ITEM PART NAME	TERN.O. QTY.	MATERIAL FINISHING
APPROVALS	DATE	REMARK

DRAWN J.X.Zhang 2013/11/11

TITLE: LED Tact Switch



ELECTRONICS CO.,LTD

CHECKED

PART NO. K6-1206D

APPROVALS

SCALE: 1:1

TOLERANCES ARE

PROJ. SHEET 1 OF 1

ECN NO. REV. DATE.

NEW DESCRIPTION.

CHANGE. CHECK. APPRO.