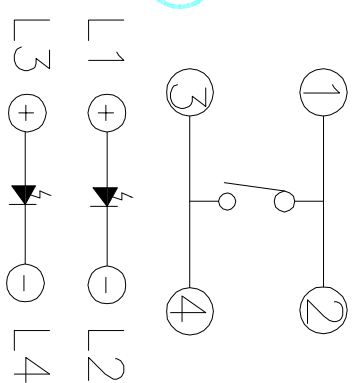
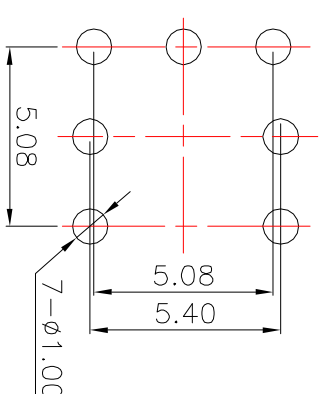


LED colour (LED颜色)	Part No. (料号)
Whiter(白色)	K6-6148D01
Red(红色)	K6-6148D02
Blue(蓝色)	K6-6148D03
Green(绿色)	K6-6148D04



Circuit Diagram



PCBLayout(Pattern Side)

② Terminal	—	3	Phosphor bronze Au Plating
① Housing	—	1	Nylon Black
ITEM PART NAME	TERN.O.	QTY.	MATERIAL FINISHING
APPROVALS	DATE		REMARK

DRAWN J.X.Zhang 2013/11/11  
 TITLE: LED Tact Switch  
 DRAWN APPROVALS

ECN NO.	REV.	DATE.	DESCRIPTION.	CHANGE.	CHECK.	APPRO.
	A		NEW			
TOLERANCES ARE: 30~125 ±0.30 ANGLE PART NO. K6-6148D 10~30 ±0.20 UNIT: mm SCALE: 1:1 PROJ: PROJ: 5~10 ±0.15 ±2° DRAWING NO. SHEET 1 OF 1						