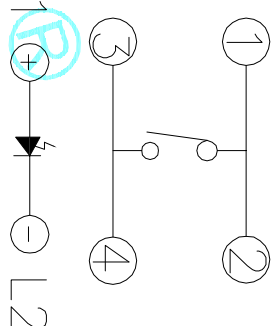
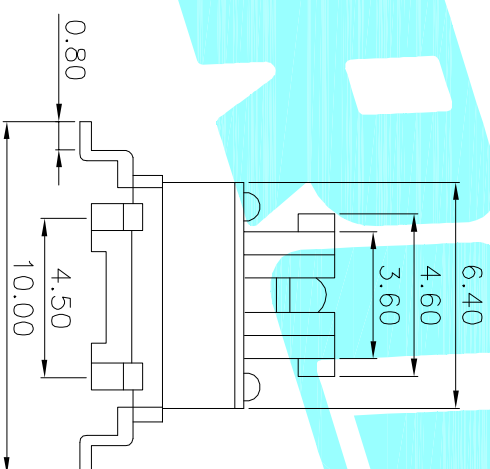
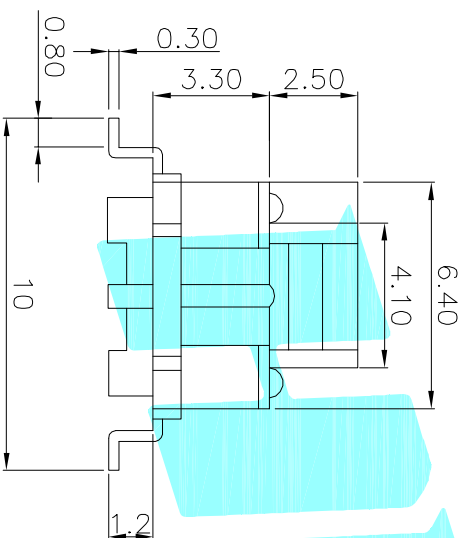
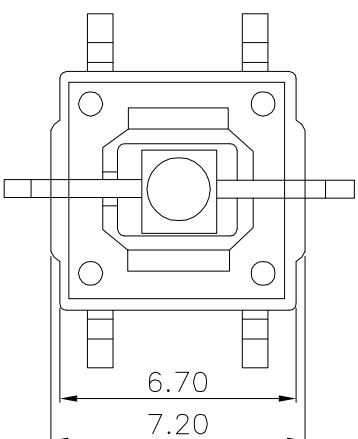
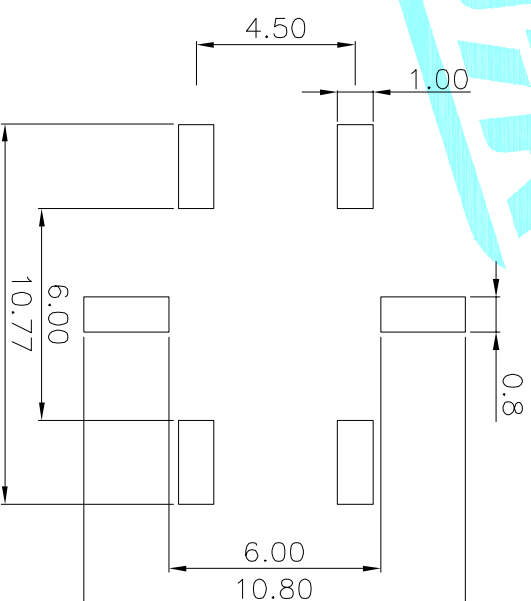


LED colour(LED颜色)	Part No. (料号)
White(白色)	K6-6150S01
Red(红色)	K6-6150S02
Blue(蓝色)	K6-6150S03
Green(绿色)	K6-6150S04



Circuit Diagram

PCBLayout(Pattern Side)



②	Terminal	3	Phosphor bronze Au Plating
①	Housing	1	Nylon Black
ITEM	PART NAME	TERN.O.	QTY.
	MATERIAL	FINISHING	REMARK

APPROVALS		DATE	
DRAWN	J.X.Zhang	2013/11/11	
CHECKED			
APPROVALS			
TITLE:		LED Tact Switch	
PART NO.		K6-6150S	

OKHRO
ELECTRONICS CO.,LTD

ECN NO.	REV.	DATE.	DESCRIPTION.	CHANGE.	CHECK.	APPRO.
	A		NEW			
TOLERANCES ARE		30~12.5 ±0.30	ANGLE	±2°		
		10~30 ±0.20	UNIT:	mm	SCALE:	1:1
		5~10 ±0.15	DRAWING NO.		PROJ:	
		~5 ±0.10			SHEET	1 OF 1