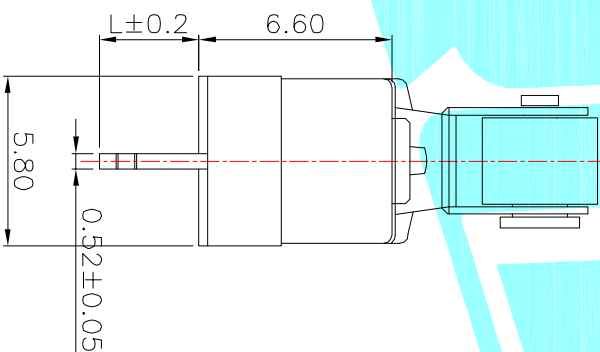
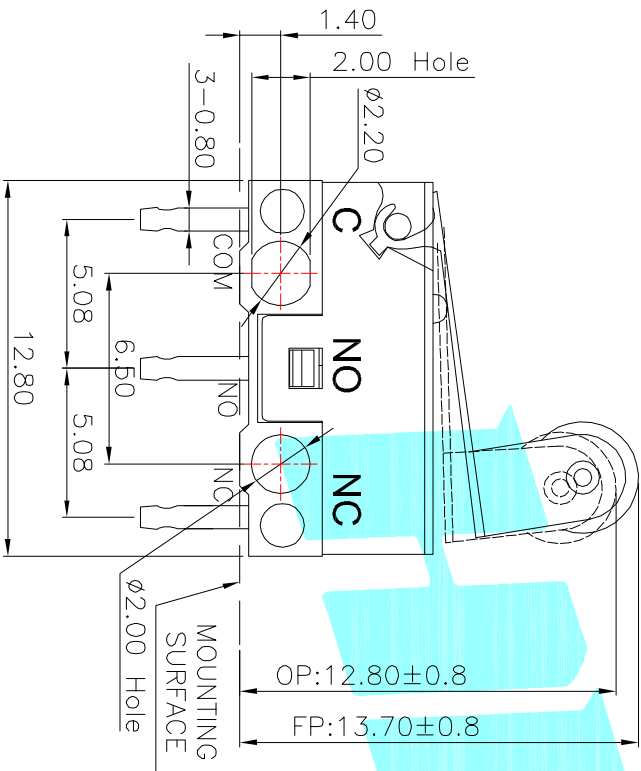


Circuit Diagram



- NOTE:
1. Rating: DC30V 0.1A
  2. OP: 12.8±0.8
  3. Operating force: 30±15gf
  4. Mechanical Life: 3,000,000

ITEM	PART NAME	TER'NO.	QTY.	MATERIAL	FINISHING	REMARK
⑩	Spindle	—	1	Alloy	Plating Nickel	
⑨	Roller	—	1	POM	Black	
⑧	Shrapnel 2	—	1	Copper Alloy		
⑦	Shrapnel 1	—	1	Beryllium Copper		
⑥	Contact	—	1	Copper Alloy		
⑤	Lever	—	1	Stainless Steel		
④	Terminal	—	3	Copper Alloy	Plating silver	
③	Base	—	1	PBT	White	
②	Knob	—	1	PBT	Grey	
①	Cover	—	1	PBT	Black	

APPROVALS		DATE	ELECTRONICS CO.,LTD	
DRAWN	JKUN.LU	2015.4.8		
CHECKED				
APPROVALS				

APPROVALS		PART NO.	MICRO SWITCHS	
DRAWN	JKUN.LU	2015.4.8		
CHECKED				
APPROVALS				

ECN NO.	REV.	DATE.	DESCRIPTION.	CHANGE.	CHECK.	APPRO.	TOLERANCES ARE	30~Ø1.1	Ø0.30	ANGLE	UNIT: mm	SCALE: 1:1	PROD.	SHEET
	A		NEW				10~30	±0.20						1 OF 1
							5~10	±0.15		±2'				