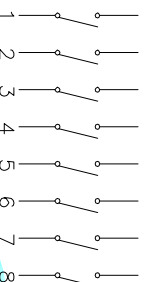
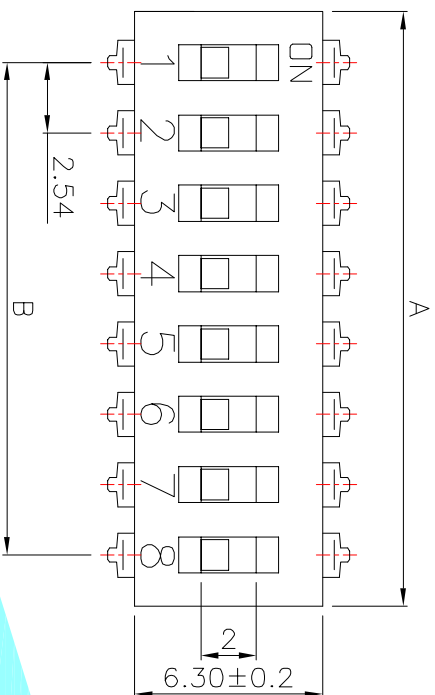
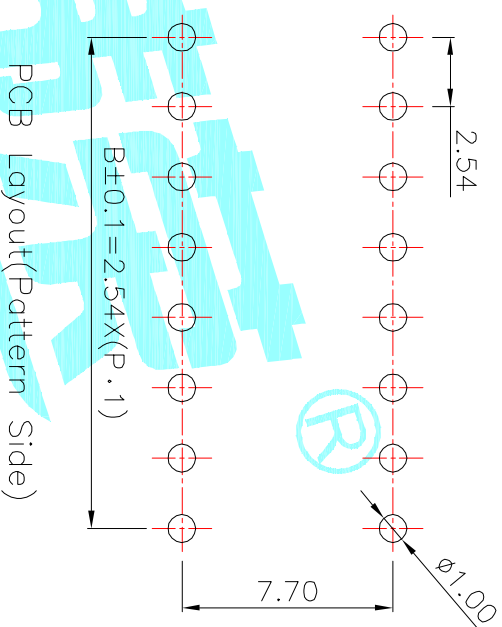


NOTE:

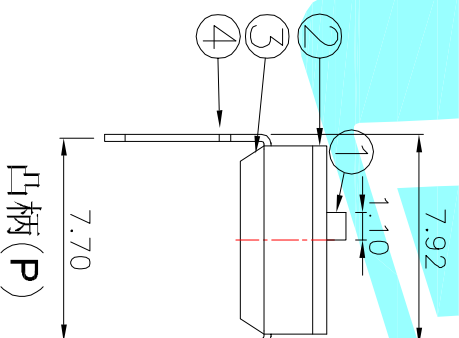
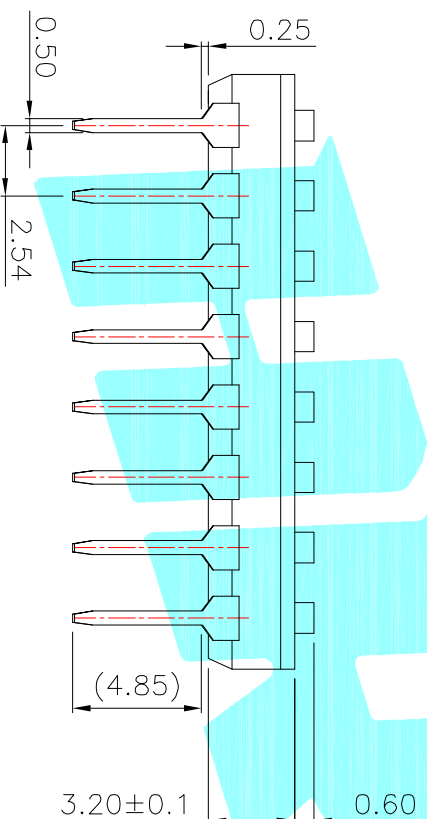
1. Rating: 24V 25mA DC
2. Insulation Resistance:  $\geq 100 \text{ M}\Omega$
3. Withstand voltage: AC 500V 1Minute
4. Operating Force Range: 800gf Max
5. Mechanical Life: 3,000 Cycles
6. Operating Temperature range:  $-20^{\circ}\sim+70^{\circ}\text{C}$
7. Ambient Humidity used:  $\leq 85\% \text{RH}$



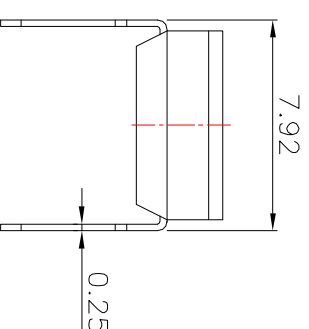
Circuit Diagram



PCB Layout (Pattern Side)



凸柄 (P)



短柄 (S)

Position(位数)	2P	3P	4P	5P	6P	7P	8P	9P	10P	12P
DIM.A(长度)	6.00	8.54	11.08	13.62	16.16	18.70	21.24	23.78	26.32	31.40
DIM.B(长度)	2.54	5.08	7.62	10.16	12.70	15.24	17.78	20.32	22.86	27.94

PART NO.	1#柄 (P)	2#柄 (S)
ES-02KP	ES-03KP	ES-04KP
ES-05KP	ES-06KP	ES-07KP
ES-08KP	ES-09KP	ES-10KP
ES-12KP	ES-02KS	ES-03KS
ES-04KS	ES-05KS	ES-06KS
ES-07KS	ES-08KS	ES-09KS
ES-10KS	ES-12KS	

④ Terminal	③ Base	② Cover	① Keystroke
Phosphor bronze	PBT	PBT	PBT
Au Plating	Black	Black	White

APPROVALS	DATE
DRAWN	2014/02/13

ELECTRONICS CO.,LTD



ECN NO.	REV.	DATE.	DESCRIPTION.	CHANGE.	CHECK.	APPRO.
	A		NEW			

APPROVALS	PART NO.	SCALE:	PROJ:
CHECKED	ES-□□□□	1:1	□□□□
TOLERANCES ARE	30~φ以上 ±0.30	ANGLE	
	10~30 ±0.20		
	5~10 ±0.15	UNIT: mm	
	~5 ±0.10	DRAWING NO.	
		SHEET 1 OF 1	