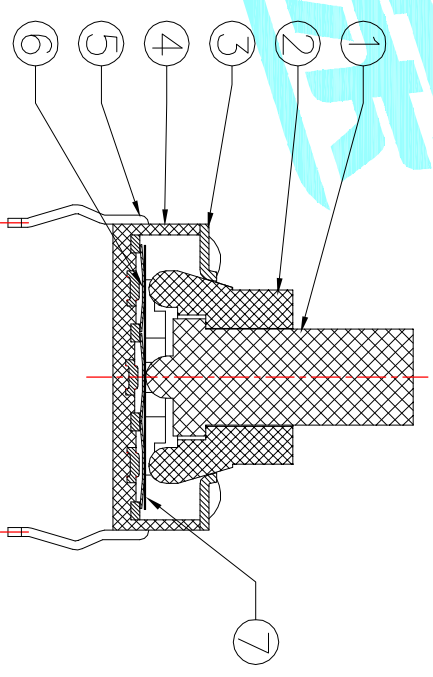
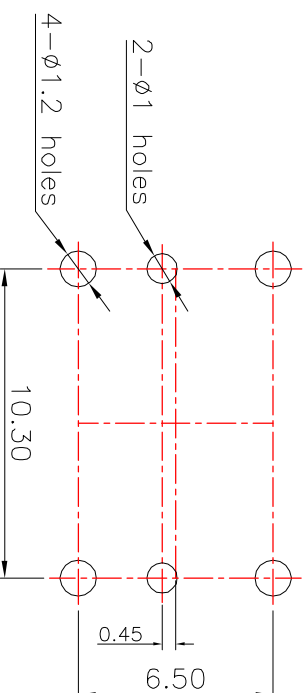


Circuit Diagram



NOTE:
 Operating Force:
 4-direction 160 ± 35 gf
 center push 300 ± 35 gf
 Travel: 4-direction 5°±2°
 center push 0.20±0.1mm



PCB Layout(Pattern Side)

ITEM	PART NAME	TER'NO.	QTY.	MATERIAL	FINISHING	REMARK
⑦	Dust cover	—	1	Kapton film	Yellow	—
⑥	Contact	—	6	F.Ag/SUS	—	Circular
⑤	Terminal	—	8	Brass(0.3t)	Plating silver	—
④	Base	—	1	PA46	Black	—
③	Cover	—	1	SUS	Plating Ni	—
②	Axle sleeve	—	1	LCP	Off-white	—
①	Knob	—	1	LCP	Black	—

APPROVALS		DATE	TITLE	
DRAWN	J.X.Zhang	2013/7/31	ELECTRONICS CO.,LTD	
CHECKED			MULTIFUNCTIONAL SWITCHS	
APPROVALS			PART NO.	K1-1506DN-01

ECN NO.	REV.	DATE.	DESCRIPTION.	CHANGE.	CHECK.	APPRO.	TOLERANCES ARE	ANGLE	UNIT:	SCALE:	PROJ:	SHEET
	A		NEW				30~12.1 ±	±0.30	mm	1:1	PROJ: ①	1 OF 1
							10~30	±0.20				
							5~10	±0.15				
							~5	±0.10				