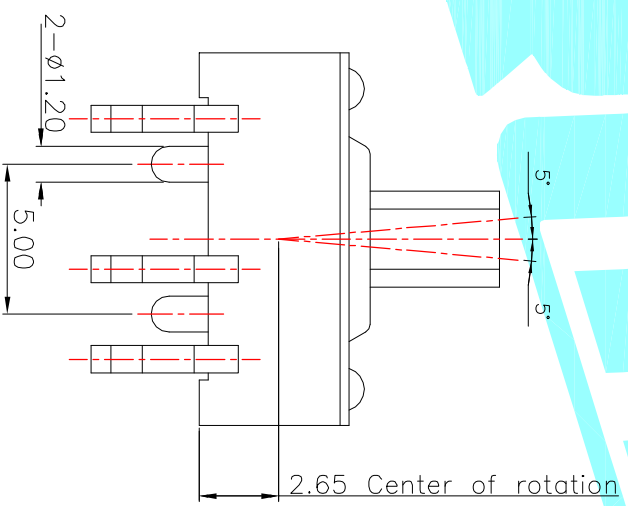
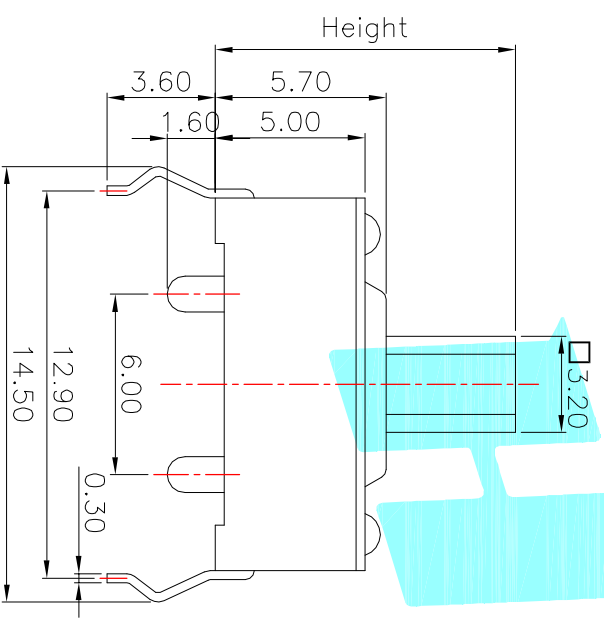
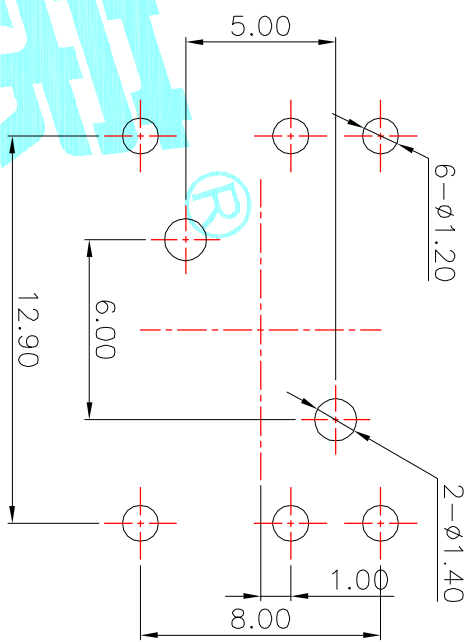


Circuit Diagram (TOP VIEW)

PCB Layout(Pattern Side)



NOTE:  
 Operating Force:  $\pm 35$  gf  
 4-direction  $160 \pm 35$  gf  
 center push  $250 \pm 35$  gf  
 Travel: 4-direction  $5 \pm 2$ .  
 center push  $0.25 \pm 0.1$ mm

PART NO	Height
K1-1535DA-01	7
K1-1535DA-02	8
K1-1535DA-03	9
K1-1535DA-04	10
K1-1535DA-05	11

ITEM	PART NAME	TER'NO.	QTY.	MATERIAL	FINISHING	REMARK
⑦	Fixed cover	—	1	PA46	Black	Circular
⑥	Contact	—	5	F.Ag/SUS	—	Circular
⑤	Terminal	—	6	Brass(0.3t)	Plating silver	—
④	Base	—	1	PA46	Black	—
③	Cover	—	1	PE	White	—
②	Axle sleeve	—	1	PA46	Black	—
①	KNOB	—	1	PA46	Black	—

APPROVALS	DATE	TITLE:
DRAWN J.X.Zhong	2013/7/31	MULTIFUNCTIONAL SWITCHS
<b>OKHRO</b> ELECTRONICS CO.,LTD		

ECN NO.	REV.	DATE.	DESCRIPTION.	CHANGE.	CHECK.	APPRO.														
—	A	—	NEW	—	—	—														
<table border="1"> <thead> <tr> <th>TOLERANCES ARE</th> <th>±0.30</th> <th>±0.20</th> <th>±0.15</th> <th>±2'</th> <th>DRAWING NO.</th> <th>SHEET</th> </tr> </thead> <tbody> <tr> <td>30~12.5</td> <td>10~30</td> <td>5~10</td> <td>~5</td> <td>±2'</td> <td>K1-1535DA-00</td> <td>1 of 1</td> </tr> </tbody> </table>							TOLERANCES ARE	±0.30	±0.20	±0.15	±2'	DRAWING NO.	SHEET	30~12.5	10~30	5~10	~5	±2'	K1-1535DA-00	1 of 1
TOLERANCES ARE	±0.30	±0.20	±0.15	±2'	DRAWING NO.	SHEET														
30~12.5	10~30	5~10	~5	±2'	K1-1535DA-00	1 of 1														