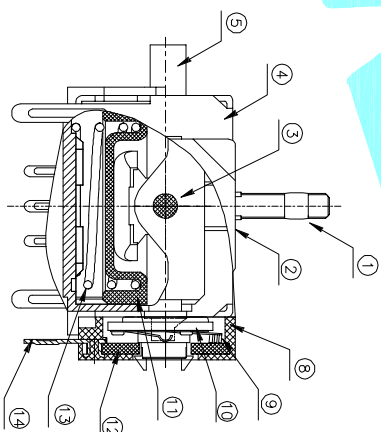
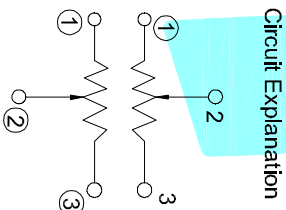
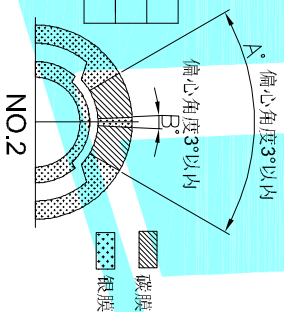


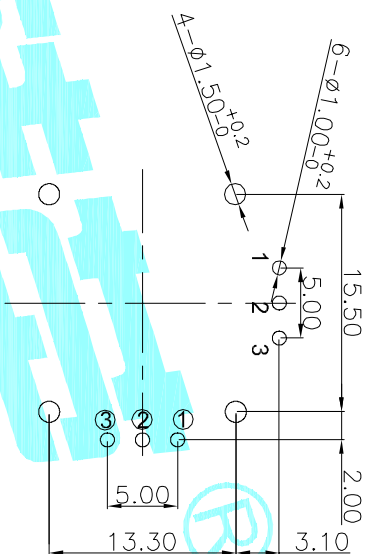
NO.1	
STANDARD	
10K±20%	
50K±20%	
100K±20%	
120K±20%	

NO.2	
A	38° 40° 45° 50° 60°
B	0° 4° 6° 8°



Scale 1:1

PCB Layout (Pattern side)



NO.3	
S	HAVE SWITCH
W	NO SWITCH

NO.4	
PART NO	vigor
A	160±40gf
B	220±40gf
C	250±40gf

NO.5	
PART NO	NOTE
01~99	SERIAL NUMBER

14	端子	6	SPCC	Plating Sn	
13	弹簧	1	SUS		
12	电阻片	2			
11	滑动座	1	PLASTIC		
10	胶座	2	PLASTIC		
9	刷子	2			
8	电阻片本体	2	PLASTIC		
7	底座		PBT		
6	开关		6*6*5		
5	下摇臂	1	ALLOY		
4	外壳	1	SPTF		
3	铆钉	1	FE	Plating Ni	
2	上摇臂	1	BRASS		
1	轴心	1	SUS	Plating Ni	

APPROVALS		DATE	ELECTRONICS CO.,LTD	
DRAWN	QI:FENG.XU	2014.11.28	ROCKERSWITCH	

ECN NO.	REV.	DATE.	DESCRIPTION.	CHANGE.	CHECK.	APPRO.					
	A		NEW								
APPROVALS			TOLERANCES ARE	30~12.5	±0.30	ANGLE	PART NO.	3D:61-DDK-ADD00-D-0-00	SCALE: 1:1	PROJ: 1	SHEET 1 OF 1
CHECKED			10~30	±0.20	±2'	DRAWING NO.					
APPROVALS			5~10	±0.15							
APPROVALS			~5	±0.10							